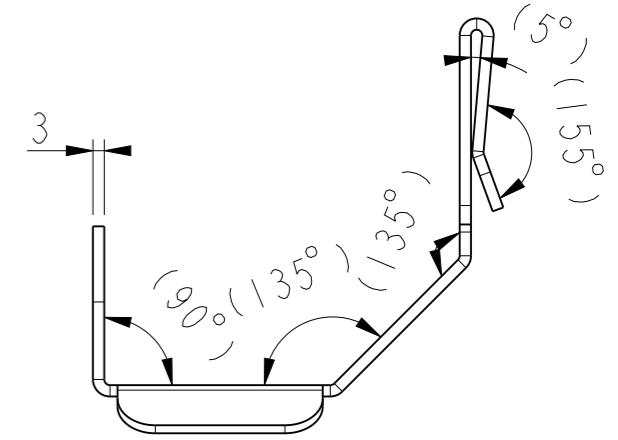
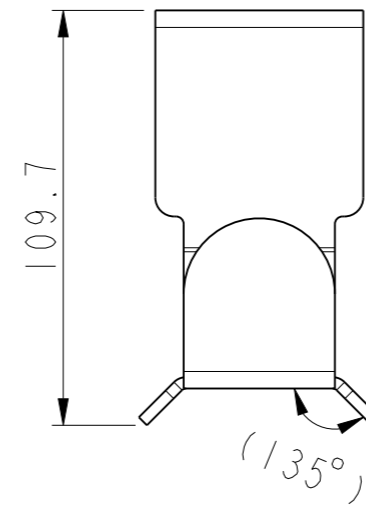
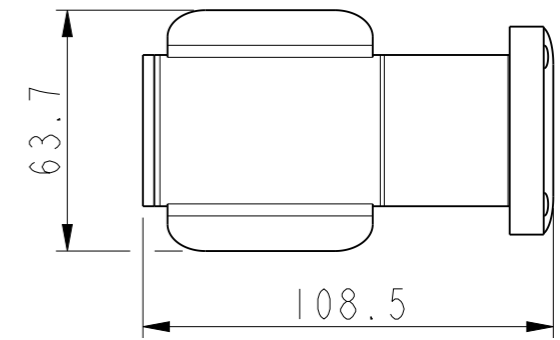
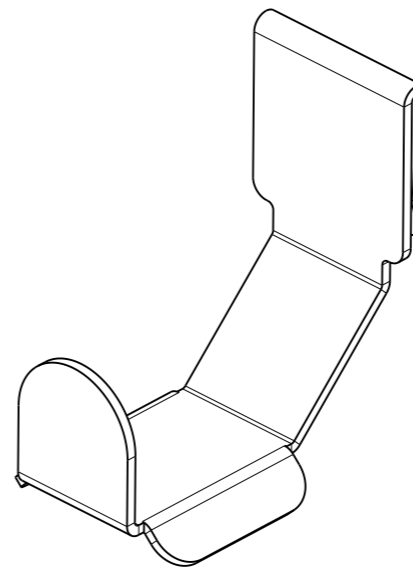
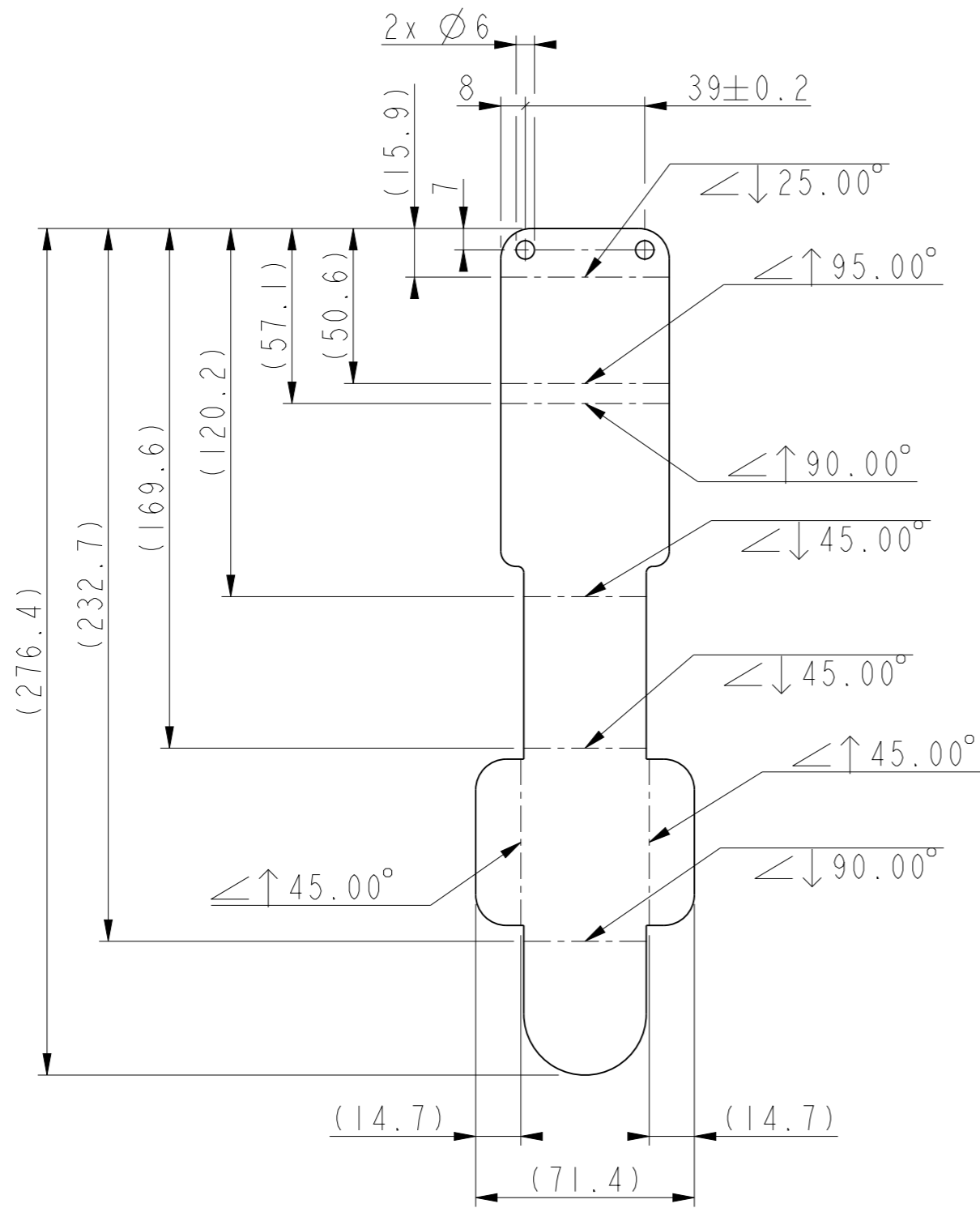


These designs are the intellectual property of Alfen B.V. in Almere, the Netherlands. The information in this document may not be reproduced and/or published by print, photo copy, microfilm or any other method without the prior express consent of Alfen B.V.

Revision
 A:
 B:
 C:
 D:
 E:



Step-file is leading. Flat pattern is for reference only.

Powder coating on all sides

- Supplier: AXALTA
- Type: Alesta AP Fine Texture AE03057704320 RAL7043
- Single layer
- Thread of nuts and bolts free of coating

Supply separately:			
1	Manual Cable Hook Eye Single Pole	203130214-ICU	1
Packaging:			
2	Box	Topa 70054 (160x95x95mm)	1
3	Sticker containing product information		1

material	Koud gew. rvs plaat AISI 304 (DIN1016-X5CrNi18.9.H)	geometric tolerancing	EN-ISO 1101	tot.principle	NEN-EN-ISO 14405-1 (E)	if not specified tolerance	ISO 2768-mK	roughness	NEN-EN-ISO 1302	american projection	ALFEN instr. sheet 1/1
finishing	--	Cable Hook Eye Single Pole								dimensions in mm	
detail	Cable Hook Eye Single Pole										sheet 1/1
order number	--	mass	0.323 kg	size	DEVELOPMENT-A3			scale	1/2		
date	04-Feb-22 11:00:11 AM	designed	WIEC	article number	803873232-ICU	drawing state	Released	rev.	-		



DRAWING = 803873232-ICU / -1 / Released
 MODEL = 803873232-ICU / -2 / Released